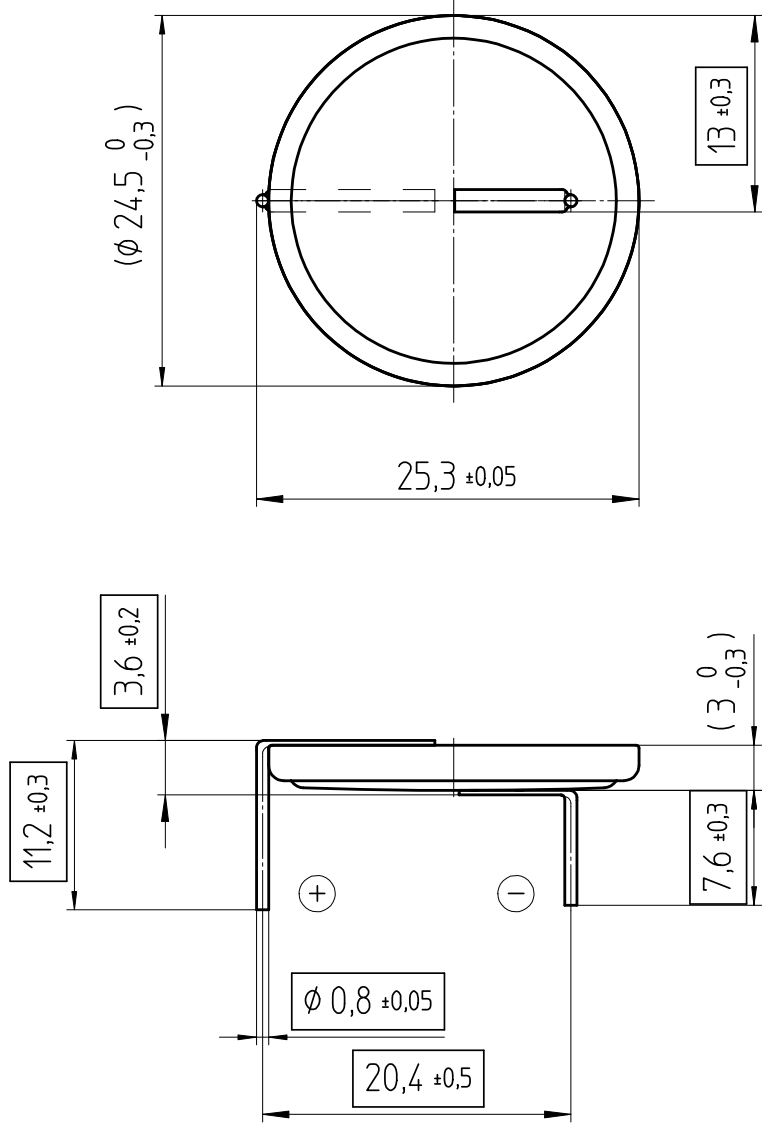


Art.-Number: 700360



Tab material: Isotan (54%Cu,44%Ni,Mn)

All framed values will be used for dimension checking !

- Samples can deviate in the execution from the serie.

- Dimensions and tolerances can be specified only after the testing of the devices for the mass production definitely

Rev.	①	02.08.05	Osc	Rev.	○			Customer's Approval		
Rev.	○			Rev.	○			Date		
Rev.	○			Rev.	○			Signature		
Titel:							Scale 2:1	Drawn	21.10.99	SRi
CR2430AH								Checked	02.08.05	EWe
								Approved		
				CH-4452 Itingen Switzerland			3.8428.4-1			