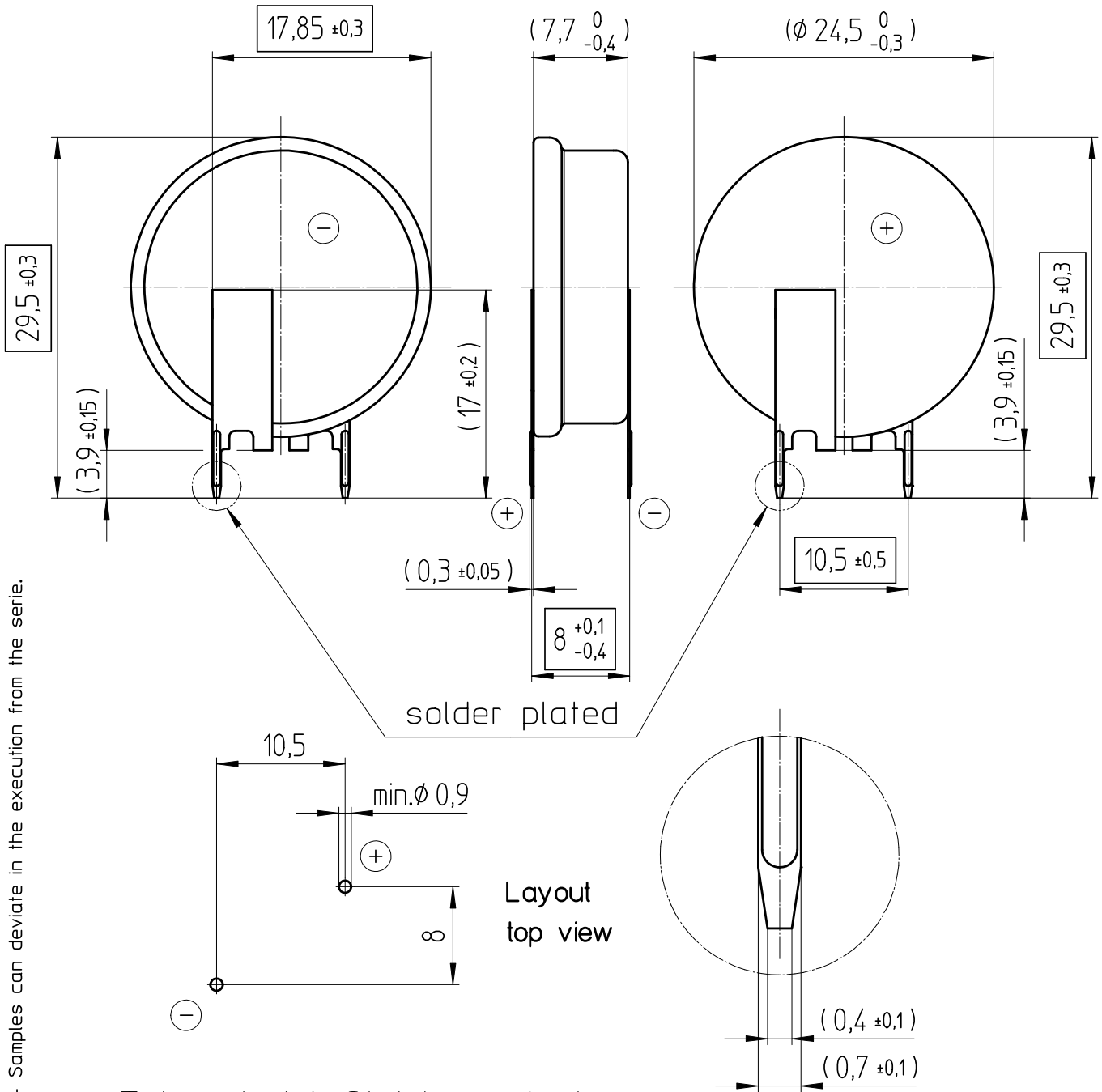


Art.-Number: 701101



- Samples can deviate in the execution from the serie.

- Dimensions and tolerances can be specified only after the testing of the devices for the mass production definitely

All framed values will be used for dimension checking !

|              |                       |  |  |      |                       |  |                                |                     |           |     |
|--------------|-----------------------|--|--|------|-----------------------|--|--------------------------------|---------------------|-----------|-----|
| Rev.         | <input type="radio"/> |  |  | Rev. | <input type="radio"/> |  |                                | Customer's Approval |           |     |
| Rev.         | <input type="radio"/> |  |  | Rev. | <input type="radio"/> |  |                                | Date                |           |     |
| Rev.         | <input type="radio"/> |  |  | Rev. | <input type="radio"/> |  |                                | Signature           |           |     |
| Titel:       |                       |  |  |      |                       |  | Scale<br>1:1                   | Drawn               | 06.01.05  | SRi |
| CR2477NFV-LF |                       |  |  |      |                       |  |                                | Checked             |           |     |
|              |                       |  |  |      |                       |  |                                | Approved            | 02.02.05  | MHo |
|              |                       |  |  |      |                       |  | CH-4452 Itingen<br>Switzerland |                     | 3.8739.4- |     |