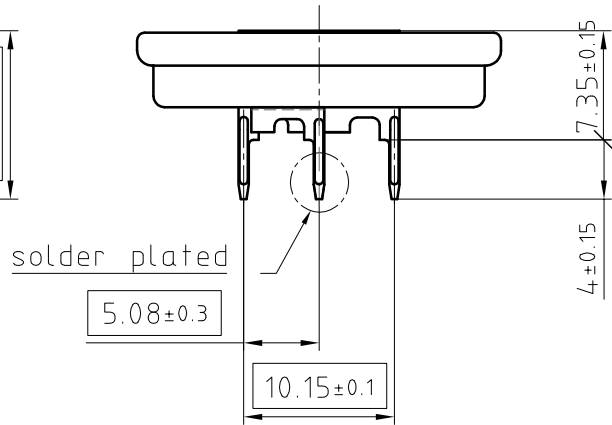
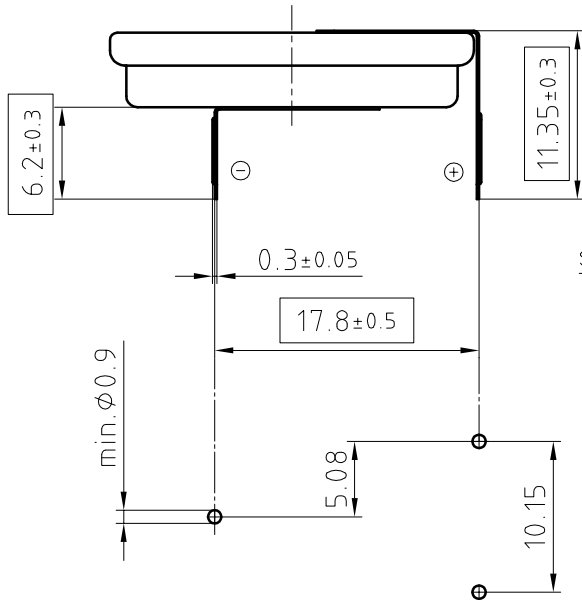
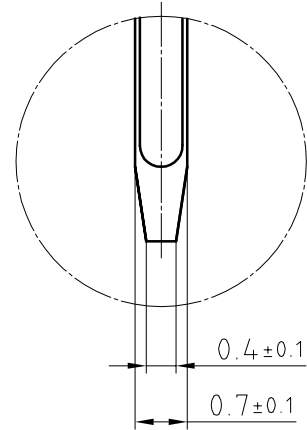
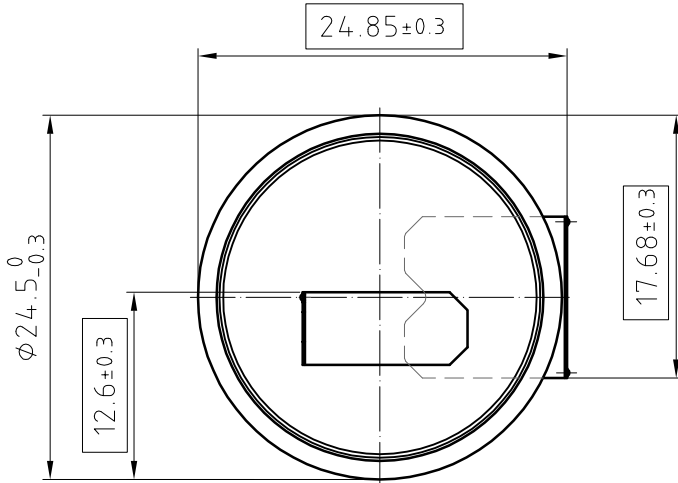


Art.-Number:703350



Layout top view

- Samples can deviate in the execution from the serie.

All dimensions in mm.

Tab material: Stainless steel

Direction of tab corrugation could be to the inner side, or outer side

All framed values will be used for dimension checking !

- Dimensions and tolerances can be specified only after the testing of the devices for the mass production definitely

Rev.	○			Rev.	○				Customer's Approval		
Rev.	○			Rev.	○				Date		
Rev.	○			Rev.	○				Signature		
Title:								Scale 2:1	Drawn	14.09.12	PWU
CR2450N-MFR HR									Checked		
									Approved	17.09.12	MDi

renata batteries

CH-4452 Itingen
Switzerland

10.0939.4-