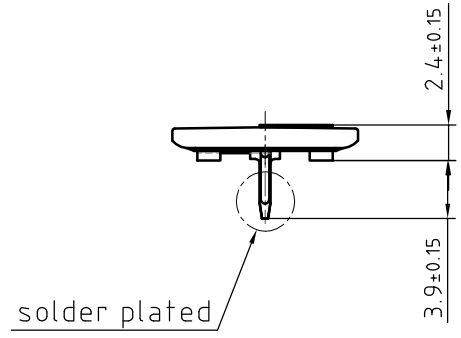
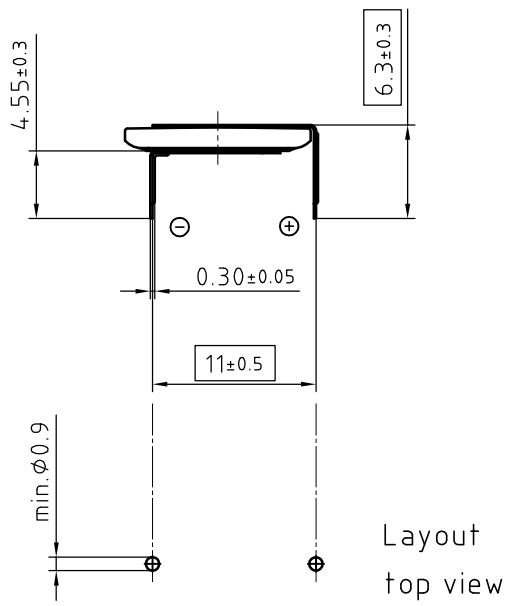
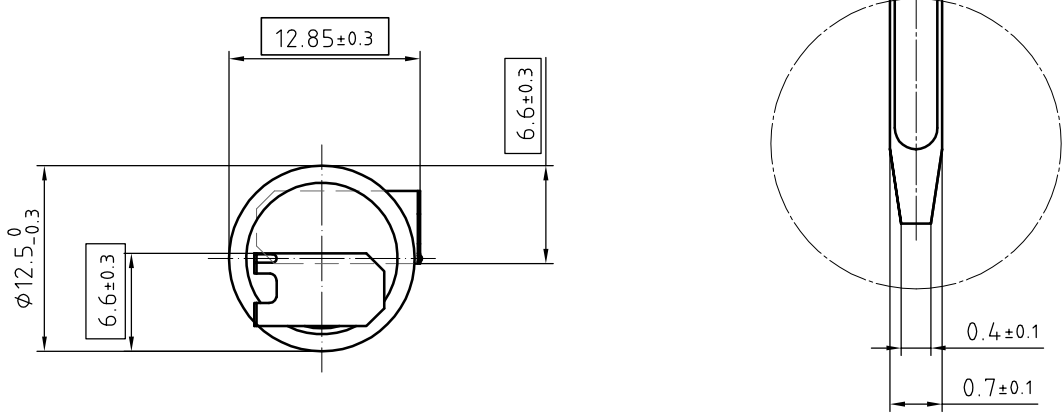


Art.-Number: 702601

- Samples can deviate in the execution from the serie.



- Dimensions and tolerances can be specified only after the testing of the devices for the mass production definitely

Tab material: Stainless steel

All framed values will be used for dimension checking !

Rev.	<input type="radio"/>			Rev.	<input type="radio"/>				Customer's Approval		
Rev.	<input type="radio"/>			Rev.	<input type="radio"/>				Date		
Rev.	<input type="radio"/>			Rev.	<input type="radio"/>				Signature		
Titel:								Scale 2:1	Drawn	21.01.10	Wu Ping
CR1216 MFR FH									Checked		
									Approved		

renata batteries

CH-4452 Itingen
Switzerland

10.0485.4-